

American Quilts: Our Story

ETCHINGS • WINTER REFLECTIONS • FALLEN LEAVES

Fabrics by *Thana Love*

Exclusively for Fabri-Quilt, Inc.



FREE QUILT INSTRUCTIONS

AMERICA QUILTS: OUR FLAG

ETCHINGS • WINTER REFLECTIONS • FALLEN LEAVES

SUPPLIES

(1) YELLOW MARKING PENCIL, (1) YARD STEAM A SEAM 2 (1) EACH, RED, WHITE & BLUE COTTON THREAD, (1) 4" BY 4" TEMPLATE PLASTIC, (1) 45" BY 72" THIN COTTON COTTON/BLEND BATTING

FABRICS: BY DIANA LEONE

"A QUILT FOR ALL SEASONS"

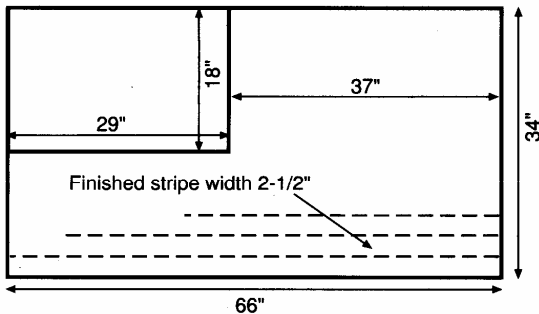
"ETCHINGS", "WINTER REFLECTIONS" & "FALLEN LEAVES"

2-1/2 yards WHITE -- "Etchings" Style #120M-3542

4 yards RED -- "Fallen Leaves" Style #120-3560

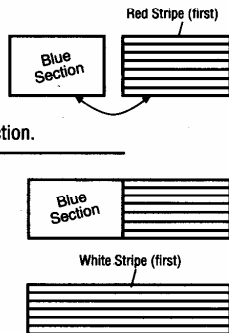
1 yard BLUE -- "Winter Reflections" Style #120-3531

ASSEMBLE THE FLAG (Finished size 34"x66")



(1/4" Seam is included throughout)

1. Cut 4 red strips 3" x 37-1/2".
2. Cut 3 white strips 3" x 37-1/2".
3. Sew the stripes together.
4. Sew the strip section to the blue section.
5. Cut 3 red strips 3" x 66-1/2".
6. Cut 3 white strips 3" x 66-1/2".
7. Sew the stripes together.
8. Sew the strips to the top section.
9. Press all seams in one direction.



STARS

1. Trace star onto template plastic. Cut out star.
2. Adhere *Steam a Seam 2* to back of white fabric (follow manufacturers instructions).
3. Mark 50 stars onto paper side of *Steam a Seam 2*, cut out 50 stars.
4. Cut (1) 18-1/2" x 29-1/2" blue fabric.

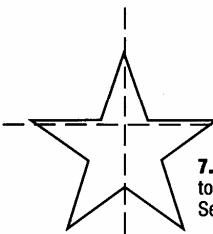
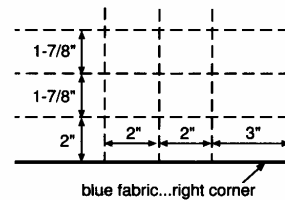


FABRICS BY *Diana Leone*

DIANA LEONE, EXCLUSIVELY FOR FABRI-QUILT, INC.

5. Mark grid onto blue fabric (use yellow marking pencil). Mark Grid with horizontal rows 1-7/8" apart and vertical rows 2" apart.

6. Begin 1st row from bottom right corner 2" from bottom edge, mark 1st vertical row 3" from right edge.



7. Position all stars on grid lines. Adhere stars to blue fabric (use manufacturers instructions). See flag on front for positions.

QUILT THE FLAG

TRIM LOOSE THREADS, CUT ONE BACKING (RED FABRIC) 1" LARGER THAN QUILT TOP. CUT ONE BATTING 1" LARGER THAN QUILT TOP. BASTE THE THREE LAYERS TOGETHER.

This flag was stipple quilted using a darning foot, lowering the feed teeth and free-motion quilting. You may hand quilt, straight line machine quilt (use walking foot) or free motion machine quilt.

BINDING

The binding was pieced to match the blue and red edges of the flag. 2-1/2" wide double fold binding was used. The stars and stripes edge of the flag is 3" longer than needed. If you want to hang the quilt vertically, there is now room for the sleeve. If you do not want to hang the flag vertically, cut off the extra 3" before you bind it.

Cut 2-1/2" strips of red to equal 175" length
Cut 2-1/2" strips of blue to equal 60"

Trim all quilt edges neat and squared. Piece together binding strips.

Fold binding in half lengthwise and press.

Pin the two raw edges to back of quilt.

Sew the binding to the edge 1/4" from edge.

Miter corners. Match blue to blue and red to red.

Fold binding to front, press and pin along folded edge. Hand or machine stitch.

SLEEVE

Fold 3" stars and stripes edge of flag towards the back. Hand stitch along the edge. Insert dowel and hang your Flag Quilt.

This quilt was made and free motion quilted on Husqvarna/Viking "Designer 1"

Fabri-Quilt, Inc.

901 East 14th Ave, North Kansas City, Missouri 64116
PHONE (816) 421-2000 FAX (816) 471-2853 (800) 279-0622

Visit us online: www.fabri-quilt.com E-Mail: dwest@fabri-quilt.com

All fabrics available from your local quilt or fabric shop.